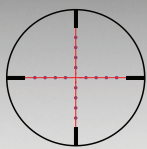
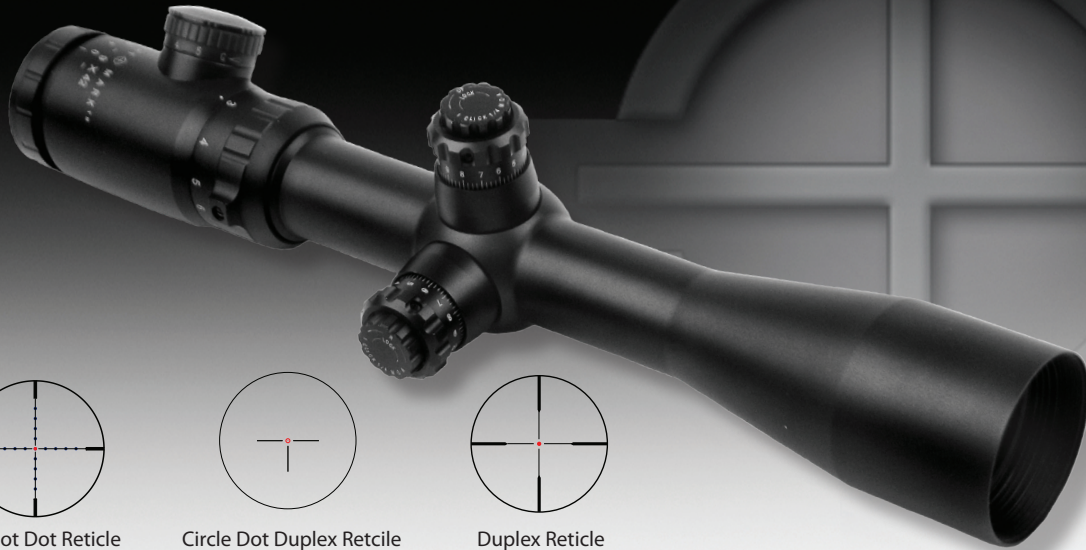
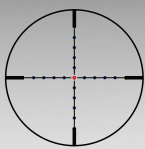


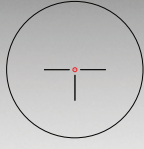
SIGHT MARK[®]



Mil-Dot Reticle



Mil-Dot Dot Reticle



Circle Dot Duplex Reticle



Duplex Reticle

SPECIFICATIONS

Water / Shock proof	Yes
Reticle color	black red green
Illuminated	yes
Reticle brightness	0-11
Finish/color	matte black
Magnification (x)	3-9
Objective diameter	42mm
Eyepiece diameter	36.5mm
Field of view (m @100m)	13.99-4.64
Field of view (ft @100yd)	45.9-15.2
Diopter adjustment	2 to -3
Tube diameter (mm)	30mm
MOA adjustment	1/4" one click
Maximum recoil (G's)	1000G
Battery type/Voltage	CR2032 / 3V
Battery life (hours)	80-150
Focal plane	2nd
IP Standard (water rating)	IPX4
Mount	weaver
Operating temp. (C)	-20-60
Dimensions (mm)	326x65x75
Body material	HI-Grade Aluminum
Weight	21.1oz

www.sightmark.com

Triple Duty 3-9x42 Rifle Scope

FEATURES

- Precision accuracy
- Adjustment lock
- Wide field of view
- Precision multicoated optics
- Internal lit reticle
- 1/4" MOA locking turrets
- Lightweight, Waterproof, and Shockproof

INCLUDED

- Set of 30 mm rings
- Limited Lifetime Warranty

The **Sightmark 3-9x42 Triple Duty Rifle Scope** is equipped with an illuminated red/green reticle, which aids in range estimation and shooting in low light conditions.

SM13016
SM13016DX
SM13016CDX
SM13016MDD